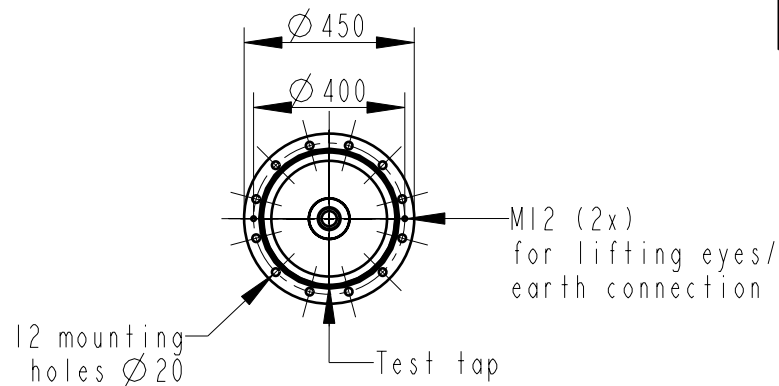
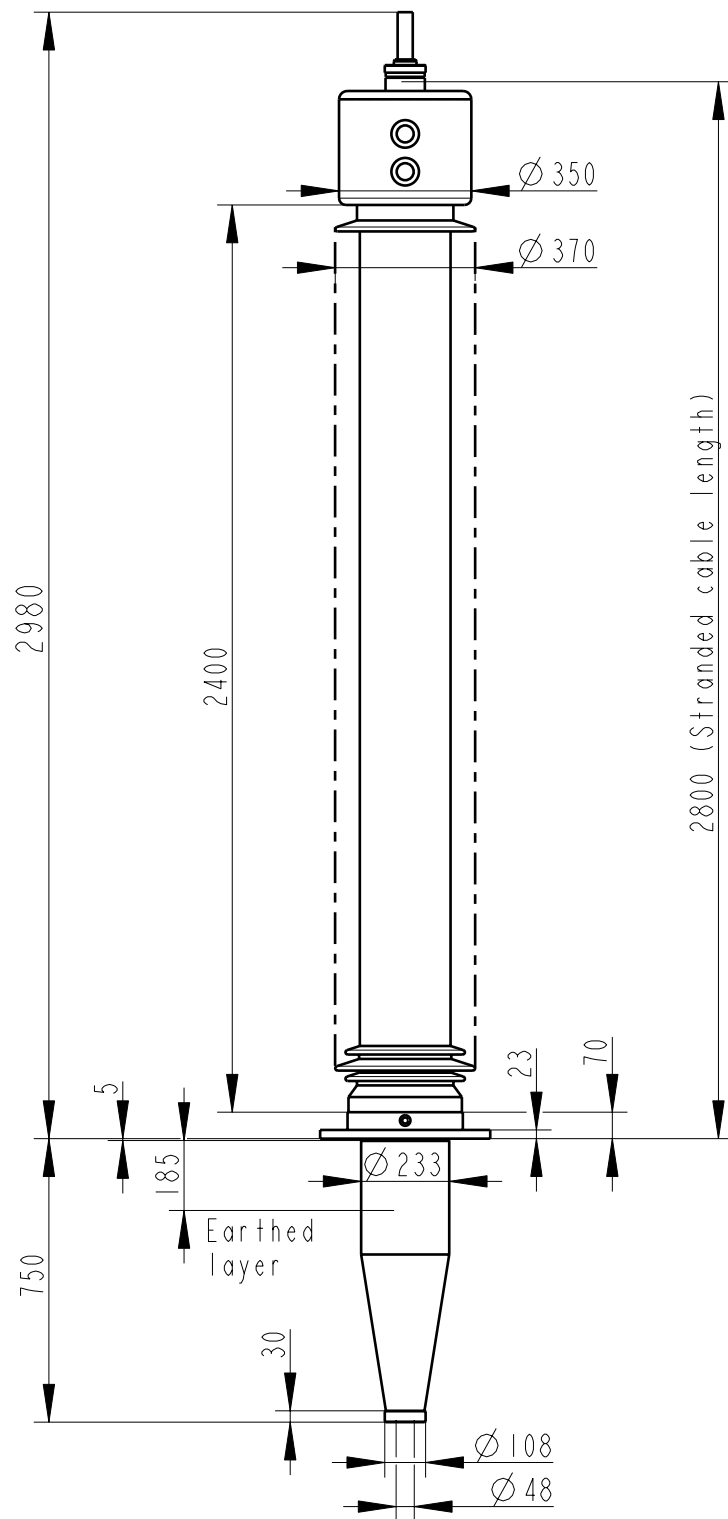
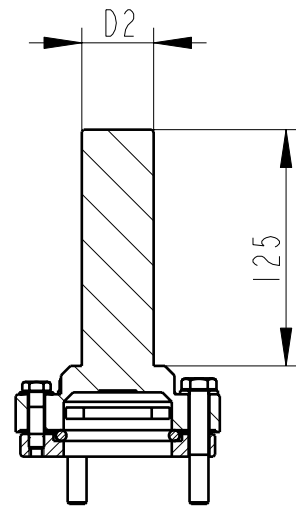


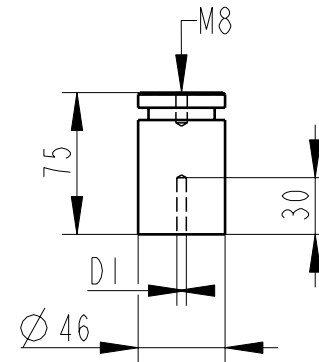
We reserve all rights in this document and in the information contained therein. Reproduction, use or disclosure to third parties without express authority is strictly forbidden. ©ABB



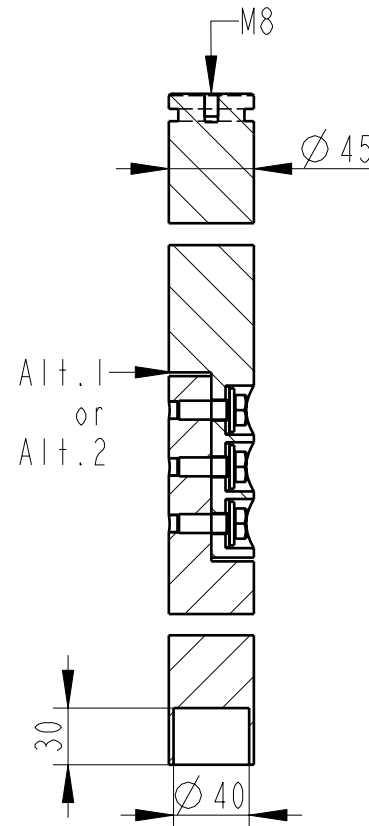
OUTER TERMINAL



INNER TERMINAL FOR STRANDED CABLE

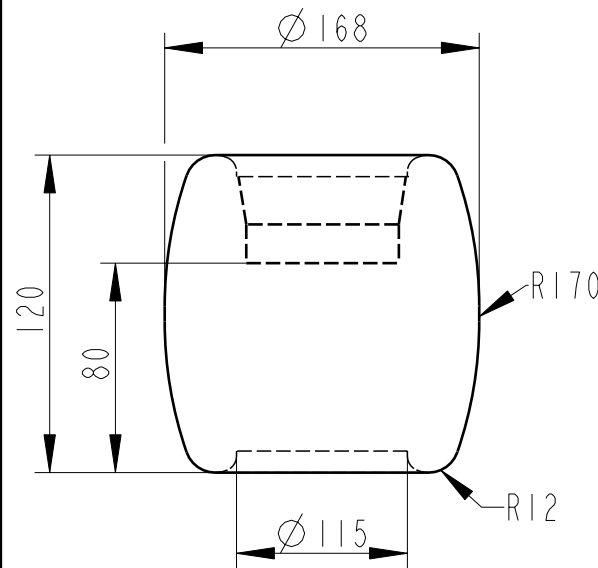


SOLID ROD CONNECTOR



The solid rod can be divided either:
 Alt.1: 20mm below the bushing flange or
 Alt.2: 20mm below the upper end of the bottom porcelain

END SHIELD



Bushing Data:

Rated Voltage	245	kV
Phase to Ground Voltage	200	kV
Dry Lightning Impulse 1,2/50µs	1050	kV
Wet Switching Impulse	850	kV
Wet power frequency AC	550	kV
Routine test 1min dry 50Hz	505	kV
Rated Current	1600	A
Creepage Distance	7750±200	mm
Mass	375	kg

Ordering Data:

BUSHING	COLOUR AIR INSULATOR	
LF 125 060-D	BROWN	
LF 125 060-L	LIGHT GREY	
OUTER TERMINAL	Material	D2
LF 170 017-BA	Al	Ø 30
LF 170 017-BC	Al	Ø 60
LF 170 017-BB	Cu	Ø 30
LF 170 017-BH	Cu	Ø 40
OTHER TYPES ON REQUEST		
INNER TERMINAL FOR STRANDED CABLE	Conductor area	D1
For brazing	up to 95mm ²	Ø 15
LF 170 018-AB	up to 285 mm ²	Ø 30
LF 170 018-AC	up to 740 mm ²	Ø 42
LF 170 018-AD	Undrilled with pilot hole Ø 5	
LF 170 018-AA		
SOLID ROD CONNECTOR		
LF 170 032-AF for Alt.1		
N/A for Alt.2		
END SHIELD	Insulation	
LF 170 020-R	Epoxy	
LF 170 020-U	Pressboard (thickness 3mm)	

ABB Components Ludvika, Sweden	
No.	
Ur/Ur	kV Ir A 50/60 Hz
LI / SI / AC	kV
M	kg L mm V
C1	pF Tan δ s
C2	pF Tan δ s

Based on	Reg. No.	Title	GOM 1050-850-0
Prepared Lövnord	Responsible department COM/BK 0043		
Approved Johansson	Take over department		Language 82
Design engineering review Gutman	Database		Page 1(1)
ABB Components			Document No. 2751369-232